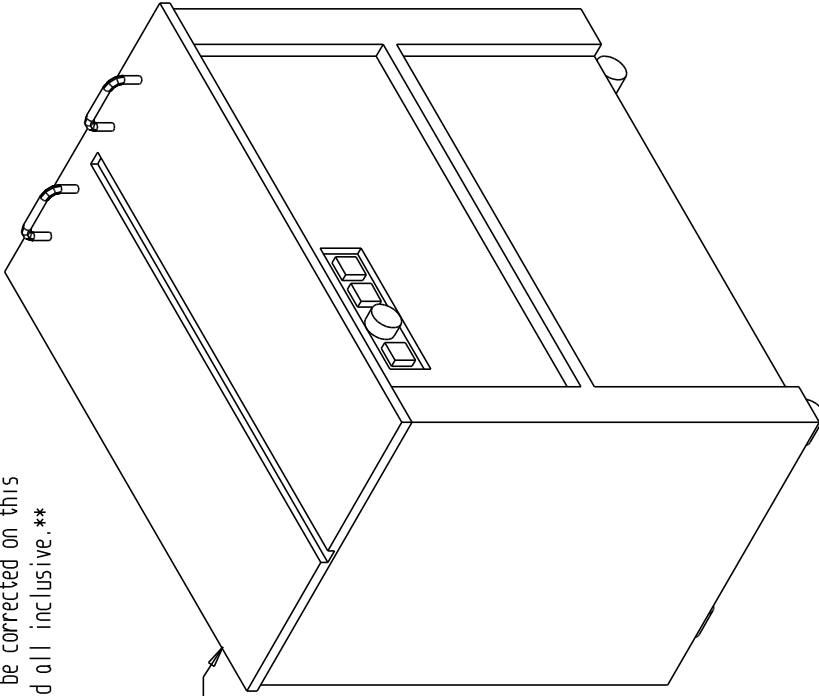


SEMI-AUTOMATIC STRAPPING MACHINE, S-2001

Any additions, deletions or omissions must be corrected on this drawing, as this drawing will be considered all inclusive.



STAINLESS STEEL STRAPPING SURFACE

STANDARD FEATURES

MODEL NUMBER: S-2001
 CAPACITY: PACKAGES OR BUNDLES GREATER THAN 3"
 OVERALL WIDTH: 22 1/2"
 OVERALL LENGTH: 35"
 OVERALL HEIGHT: 29"
 STRAPPING WIDTH: 1/2"
 115V POWER SUPPLY

SPECIAL FEATURES

NONE

LEAD TIME WILL START UPON
 RECEIPT OF SIGNED APPROVAL
 DRAWING

PLEASE CIRCLE SPECIFICATIONS:

MOTOR VOLTAGE	115	208	230	460
DEDICATED CIRCUIT REQUIRED				
MOTOR PHASE	SINGLE		THREE	

All graphics provided are for reference only.
 If certain dimensions are critical please
 verify those dimensions with your salesperson

FOR INTERNAL USE ONLY	A	I, THE UNDERSIGNED, AGREE THAT THE PRODUCT AS REPRESENTED
PROJECT SIGN OFF	P	SATISFIES DESIGN & DIMENSION REQUIREMENTS. I ALSO ACKNOWLEDGE
SALES	R	MY DUTY TO CONFIRM PRODUCT & INSTALLATION COMPLIANCE WITH ALL
ENG	O	APPLICABLE FEDERAL, STATE AND LOCAL REGULATIONS & STANDARDS.
FAB.	V	UNITS REQUIRING APPROVAL DRAWINGS OR ADJUSTED AND NON-RETURABLE
POWER	A	() As drawn () As marked
	L	Signed: _____ Date: _____
		Printed Name: _____

DISTRIBUTOR'S NAME: VESTIL MANUFACTURING	
DATE: 10-24-05	SALES: -
REFERENCE: -	SCALE: 1:10
QUOTED LEADTIME: -	ROUTE #: -
	30-007-002

**SPECIAL UNITS ARE NON-RETURNABLE
 *AVAILABLE AT ADDITIONAL COSTS